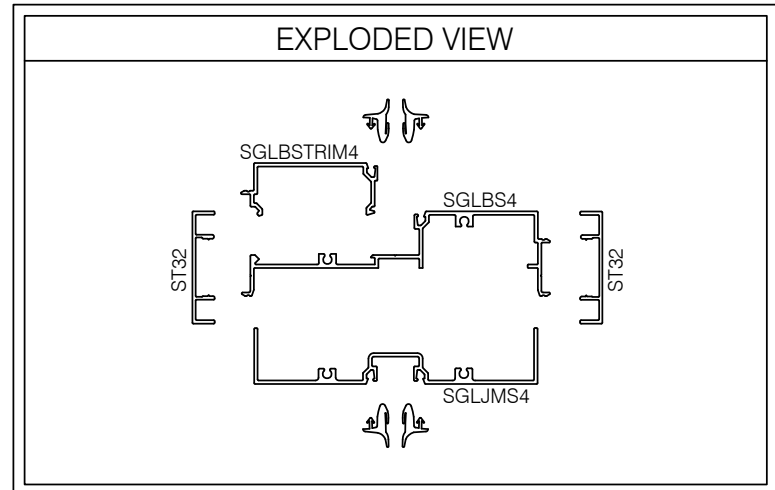
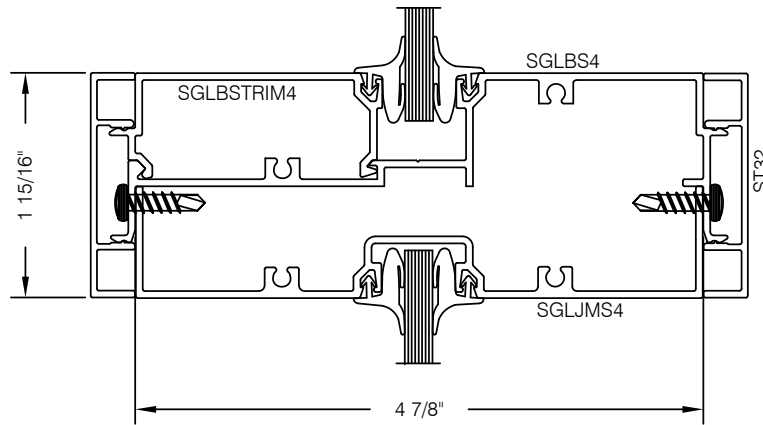


S4HGG201 487 SERIES 2" TRIM INTERMEDIATE GLASS SILL



AlumaPro
Interior Frame Systems
Phone: 713 462-0861
www.alumapro.com

IMPRESSIONS
Office Front Solutions

DWG NO.	S4HGG201	REV	0
SCALE	Full/Half	SHEET	