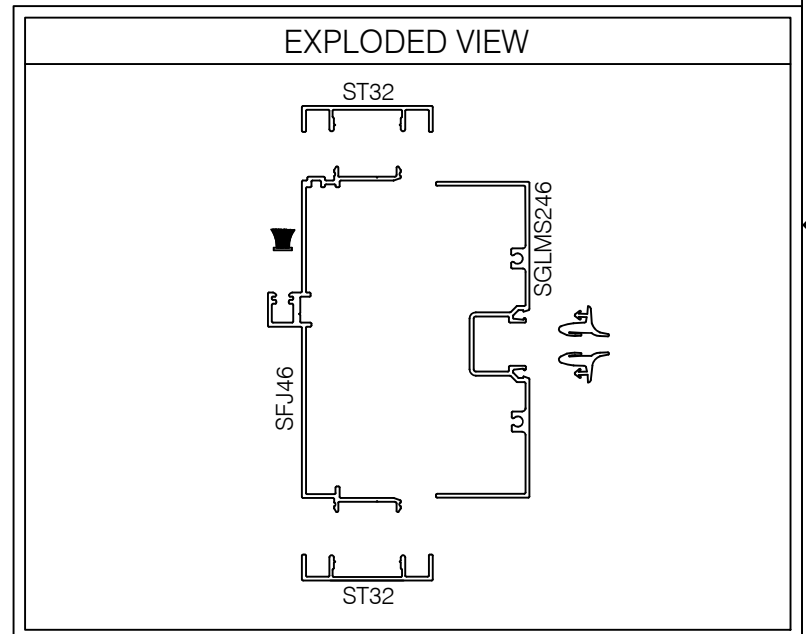
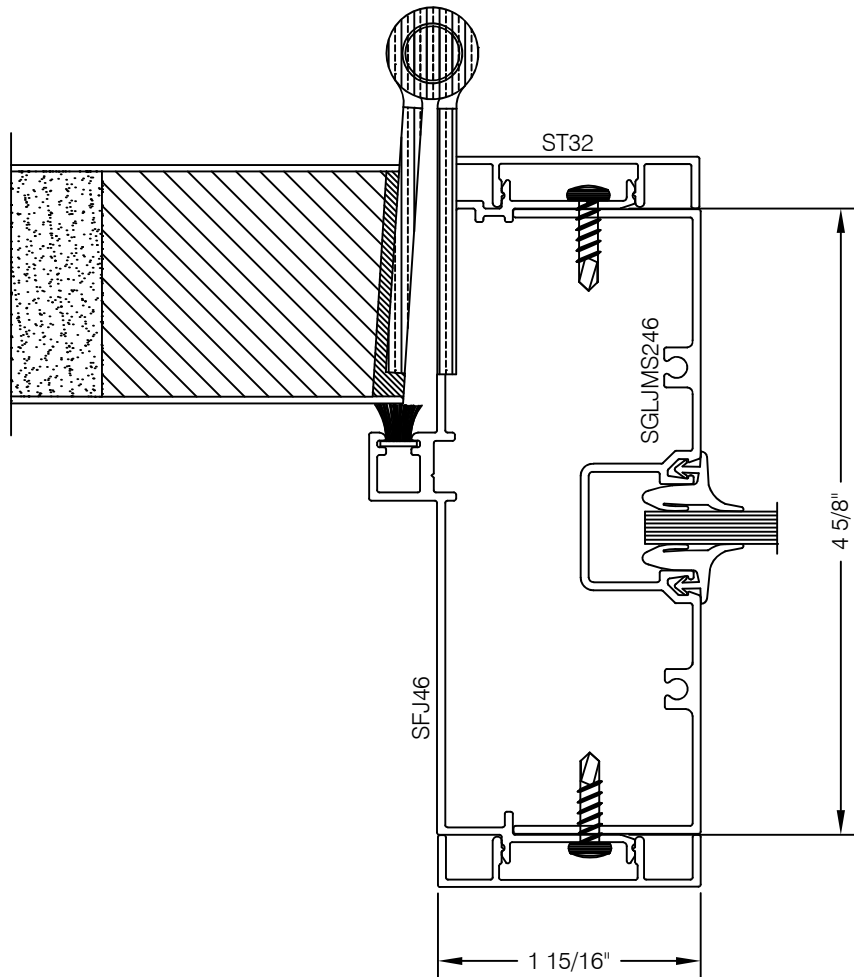


S46VDG201 463 SERIES 2" TRIM DOOR FRAME HINGE JAMB @ SIDELIGHT



AlumaPro
Interior Frame Systems

Phone: 713 462-0861
www.alumapro.com

IMPRESSIONS
Office Front Solutions

DWG NO.	REV
S46VDG201	0
SCALE Full/Half	SHEET