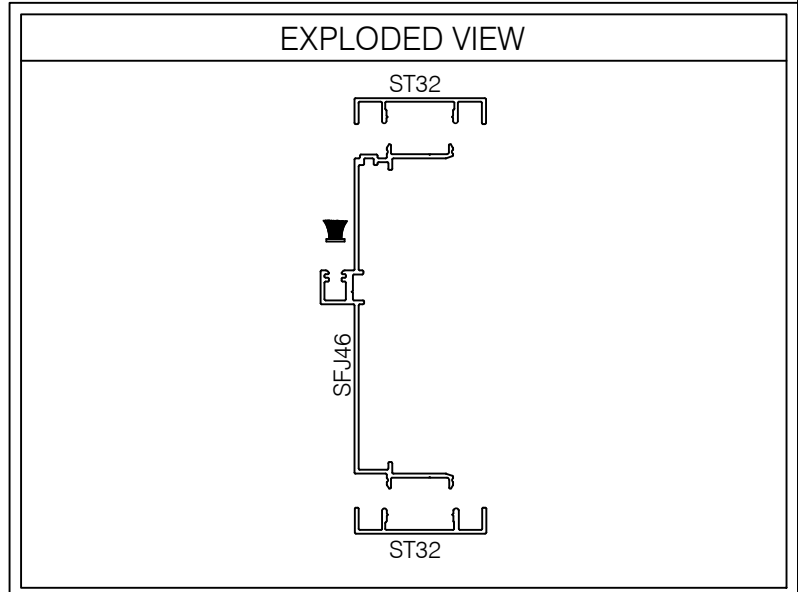
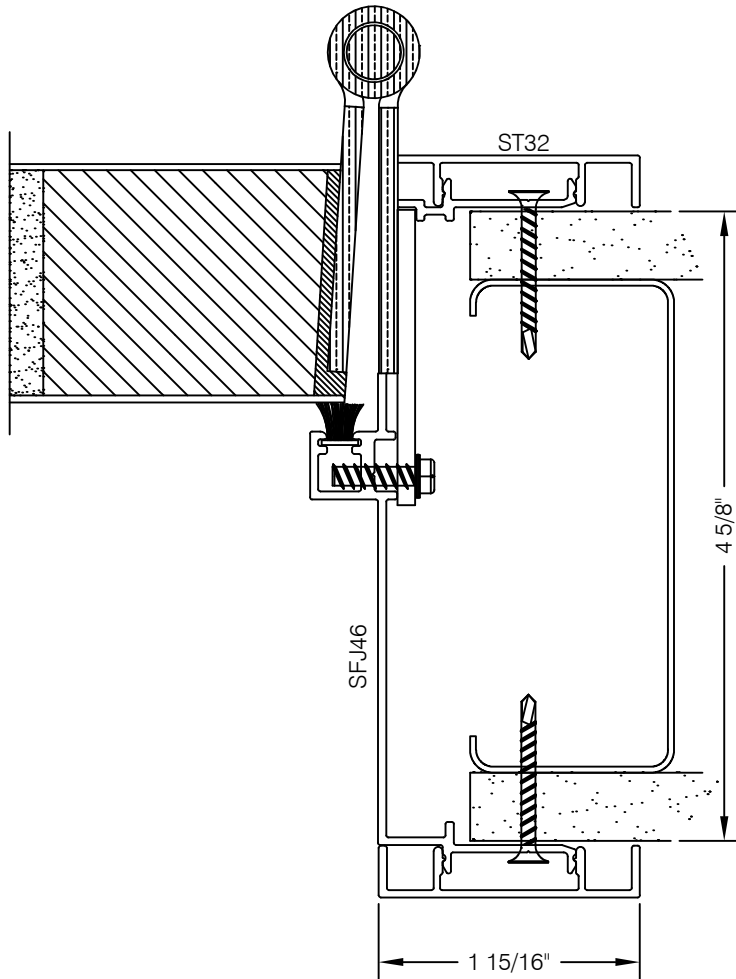


S46VD-201 463 SERIES 2" TRIM DOOR FRAME HINGE JAMB @ DRYWALL



AlumaPro
Interior Frame Systems

Phone: 713 462-0861
www.alumapro.com

IMPRESSIONS
Office Front Solutions

| | | | |
|---------|-----------|-------|---|
| DWG NO. | S46VD-201 | REV | 0 |
| SCALE | Full/Half | SHEET | |