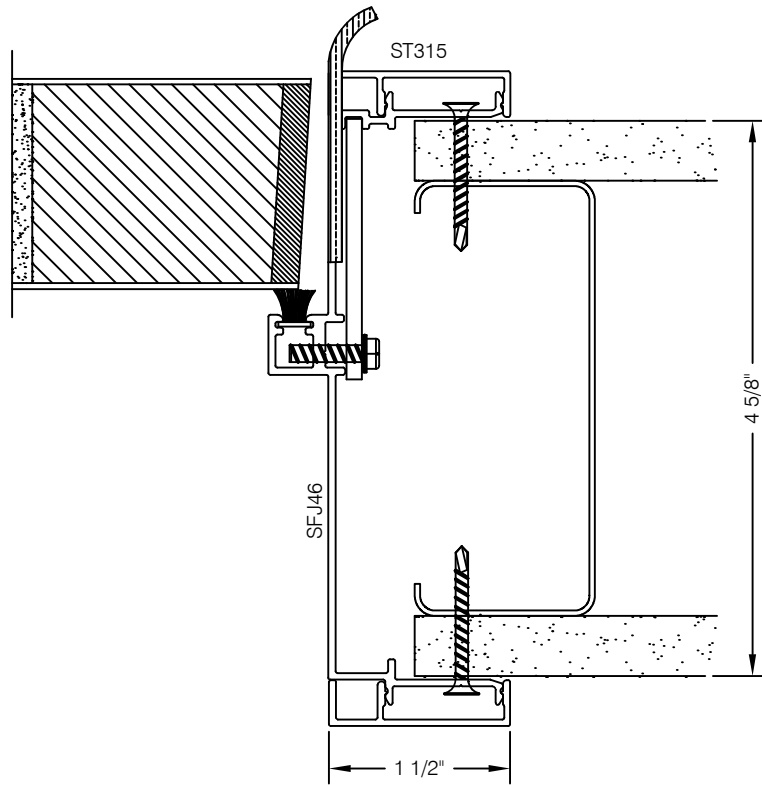
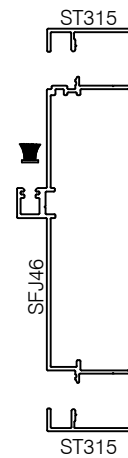


S46VD-102 463 SERIES 1 1/2" TRIM DOOR FRAME STRIKE JAMB @ DRYWALL



EXPLODED VIEW



AlumaPro
Interior Frame Systems

Phone: 713 462-0861
www.alumapro.com

IMPRESSIONS

Office Front Solutions

DWG NO.	REV
S46VD-102	0
SCALE Full/Half	SHEET