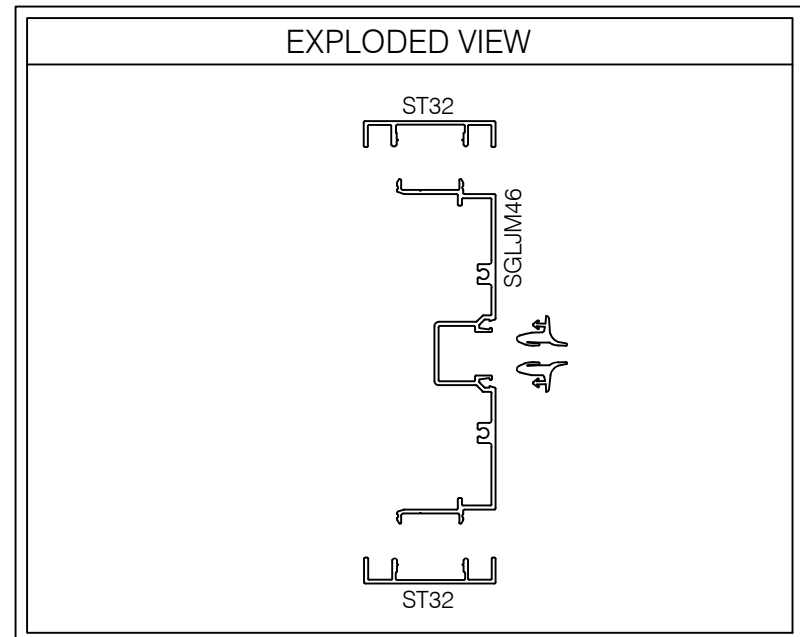
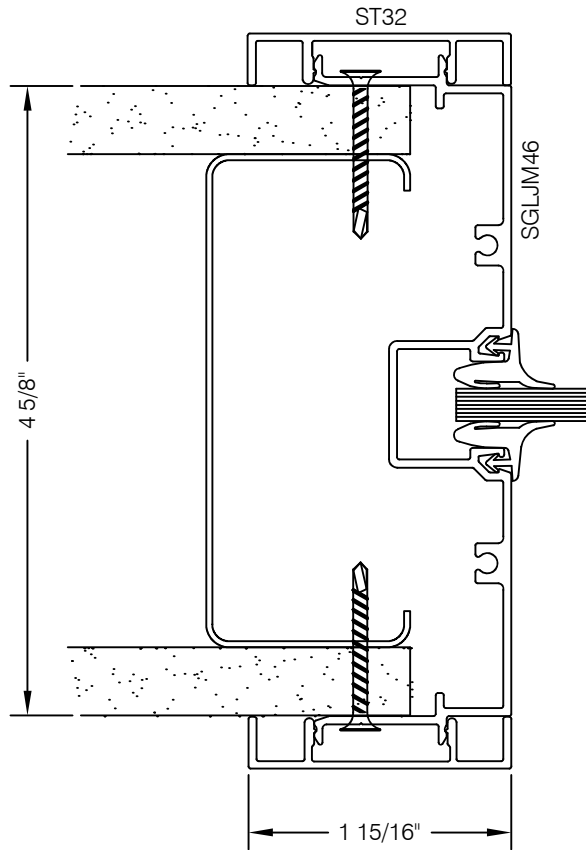


S46V-G201 463 SERIES 2" TRIM GLASS FRAME JAMB @ DRYWALL



Phone: 713 462-0861
www.alumapro.com

IMPRESSIONS
Office Front Solutions

DWG NO.	S46V-G201	REV	0
SCALE	Full/Half	SHEET	