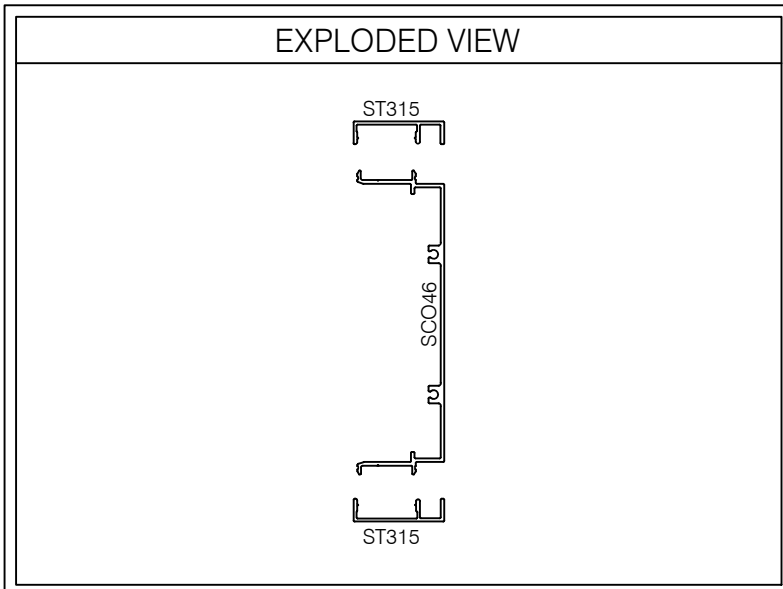
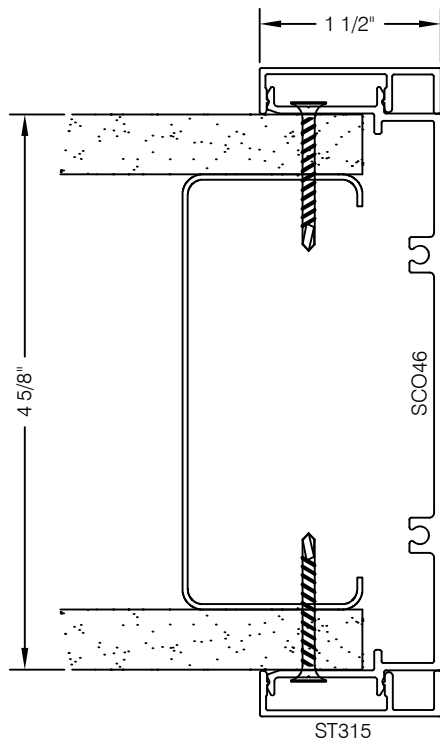


S46V-C101 463 SERIES 1 1/2" TRIM CASED FRAME JAMB @ DRYWALL



AlumaPro
Interior Frame Systems
Phone: 713 462-0861
www.alumapro.com

IMPRESSIONS
Office Front Solutions

DWG NO.	REV
S46V-C101	0
SCALE Full/Half	SHEET