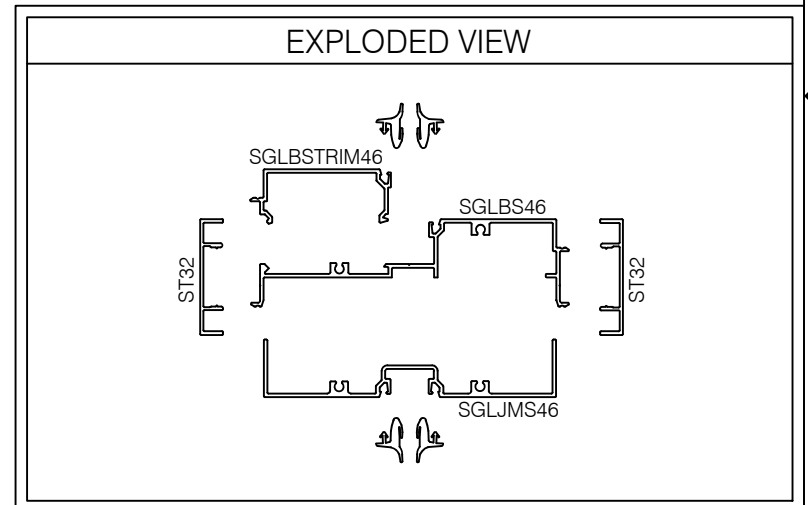
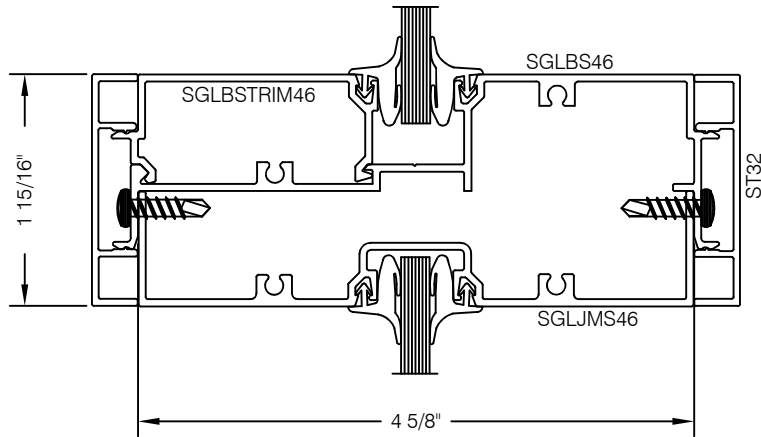


S46HGG201 463 SERIES 2" TRIM INTERMEDIATE GLASS SILL



Phone: 713 462-0861
www.alumapro.com

IMPRESSIONS
Office Front Solutions

DWG NO.	REV
S46HGG201	0
SCALE Full/Half	SHEET