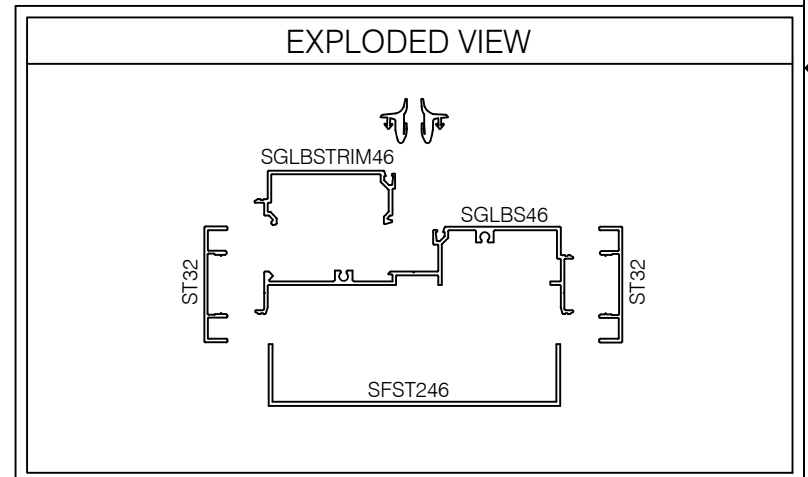
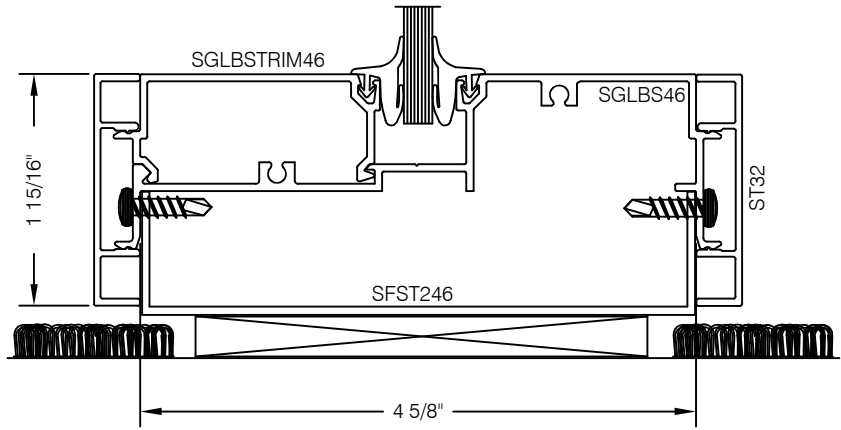


S46HGB201 463 SERIES 2" TRIM GLASS FRAME SILL @ FLOOR



Phone: 713 462-0861
www.alumapro.com

IMPRESSIONS

Office Front Solutions

DWG NO.	REV
S46HGB201	0
SCALE Full/Half	SHEET