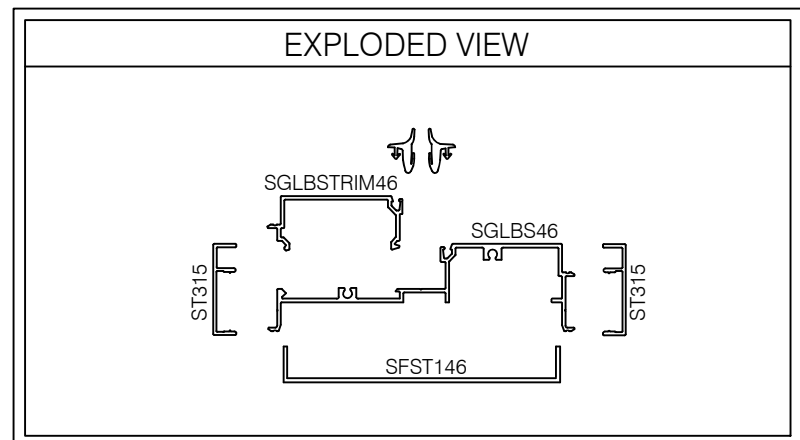
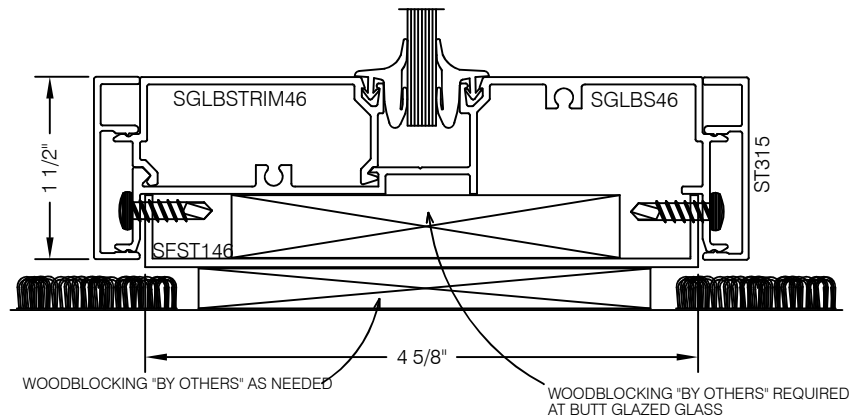


S46HGB101 463 SERIES 1 1/2" TRIM GLASS FRAME SILL @ FLOOR



Phone: 713 462-0861
www.alumapro.com

IMPRESSIONS
Office Front Solutions

DWG NO.	REV
S46HGB101	0
SCALE Full/Half	SHEET