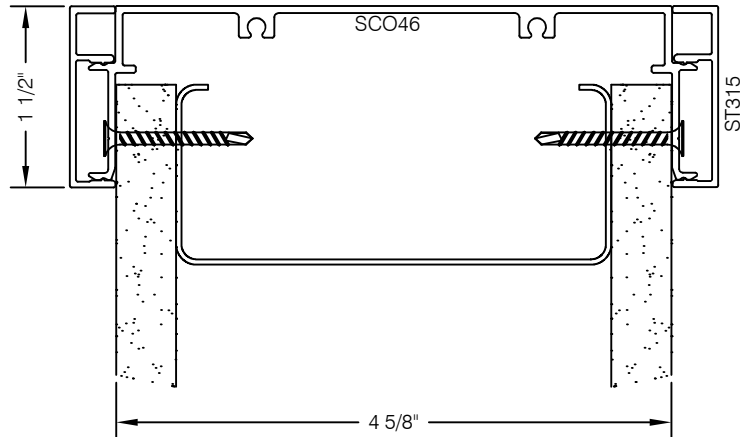
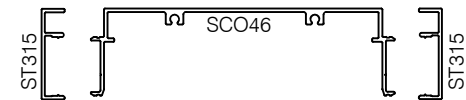


S46HC-101 463 SERIES 1 1/2" TRIM CASED FRAME SILL @ DRYWALL



EXPLODED VIEW



Phone: 713 462-0861  
www.alumapro.com

**IMPRESSIONS**  
Office Front Solutions

DWG NO.	REV
S46HC-101	0
SCALE Full/Half	SHEET