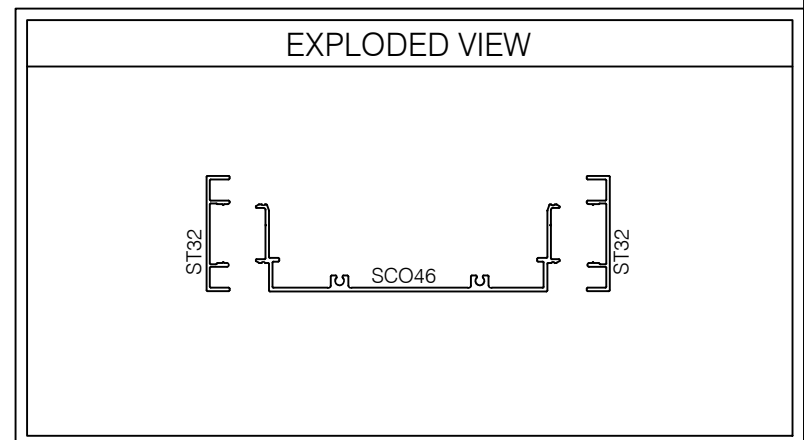
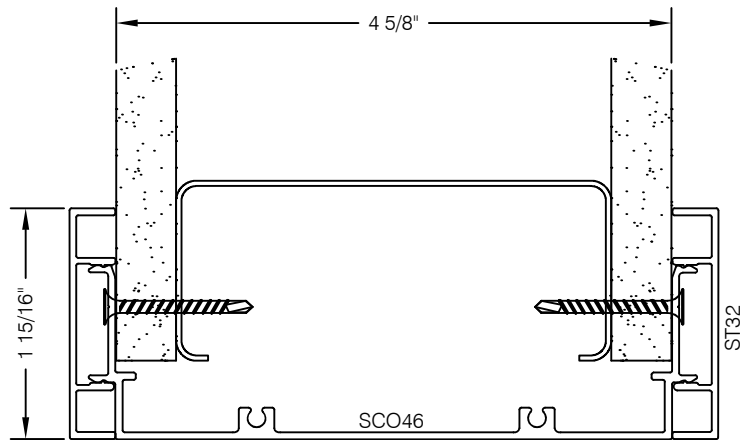


S46H-C201 463 SERIES 2" TRIM CASED FRAME HEAD @ DRYWALL



Phone: 713 462-0861
www.alumapro.com

IMPRESSIONS
Office Front Solutions

DWG NO. S46H-C201	REV 0
SCALE Full/Half	SHEET