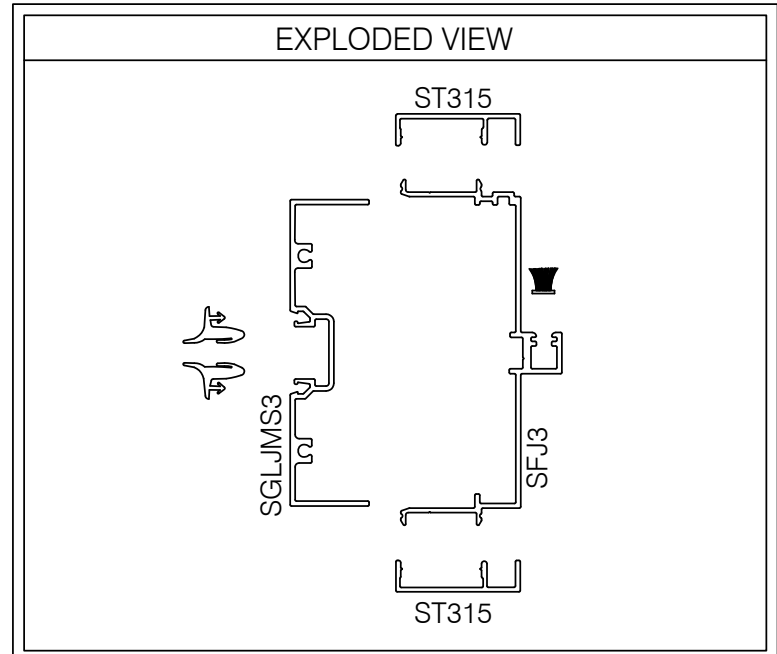
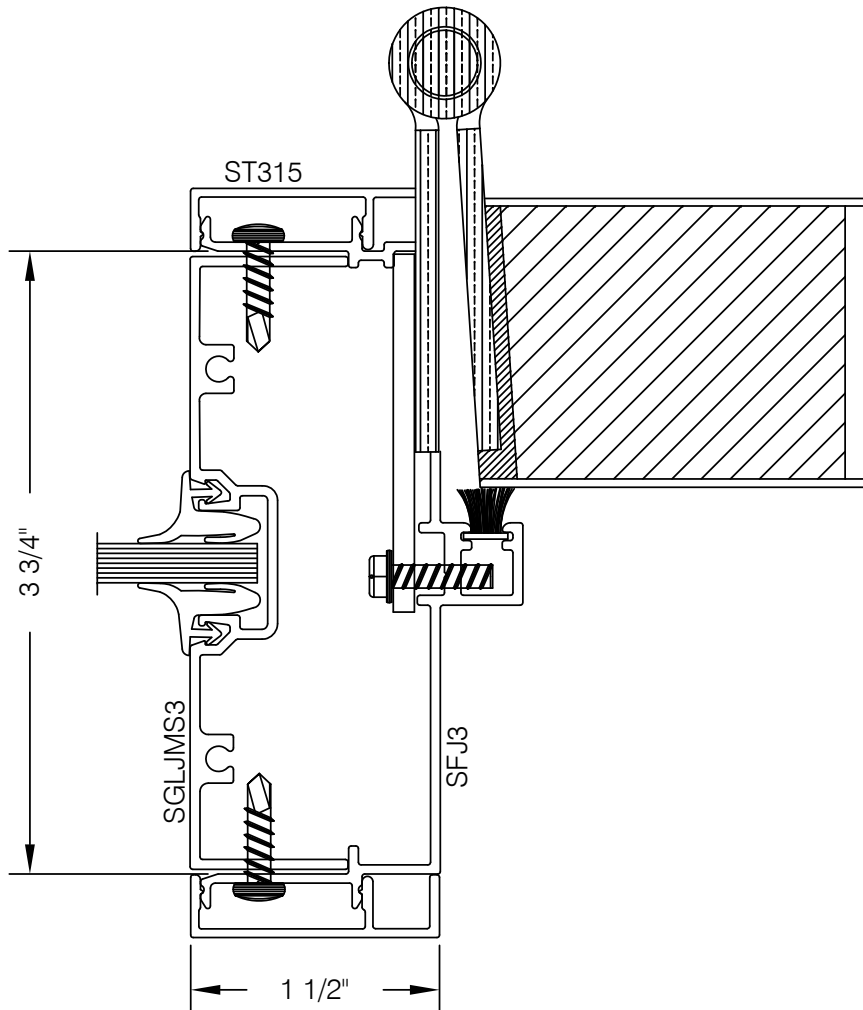


S3VGD101 375 SERIES 1 1/2" TRIM DOOR FRAME HINGE JAMB @ SIDELIGHT



AlumaPro
Interior Frame Systems
Phone: 713 462-0861
www.alumapro.com

IMPRESSIONS
Office Front Solutions

DWG NO.	S3VGD101	REV	0
SCALE	Full/Half	SHEET	