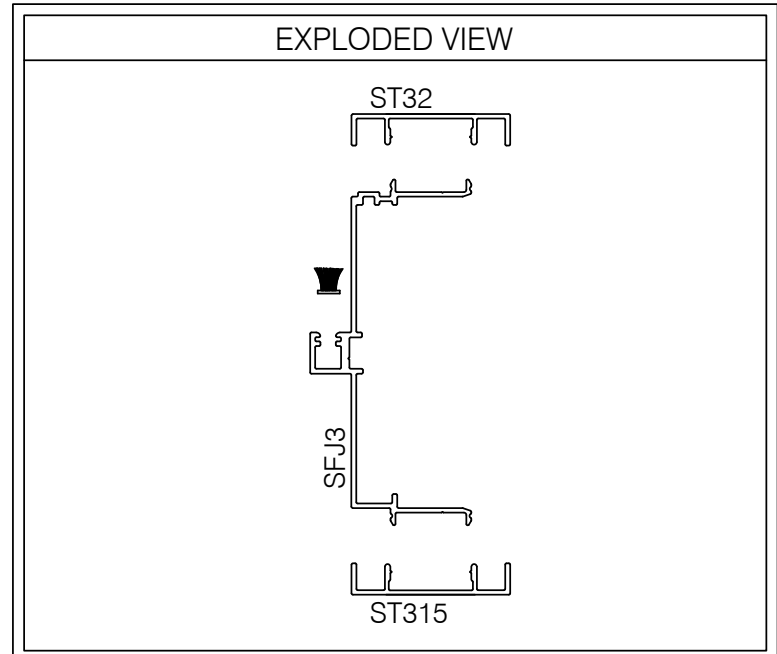
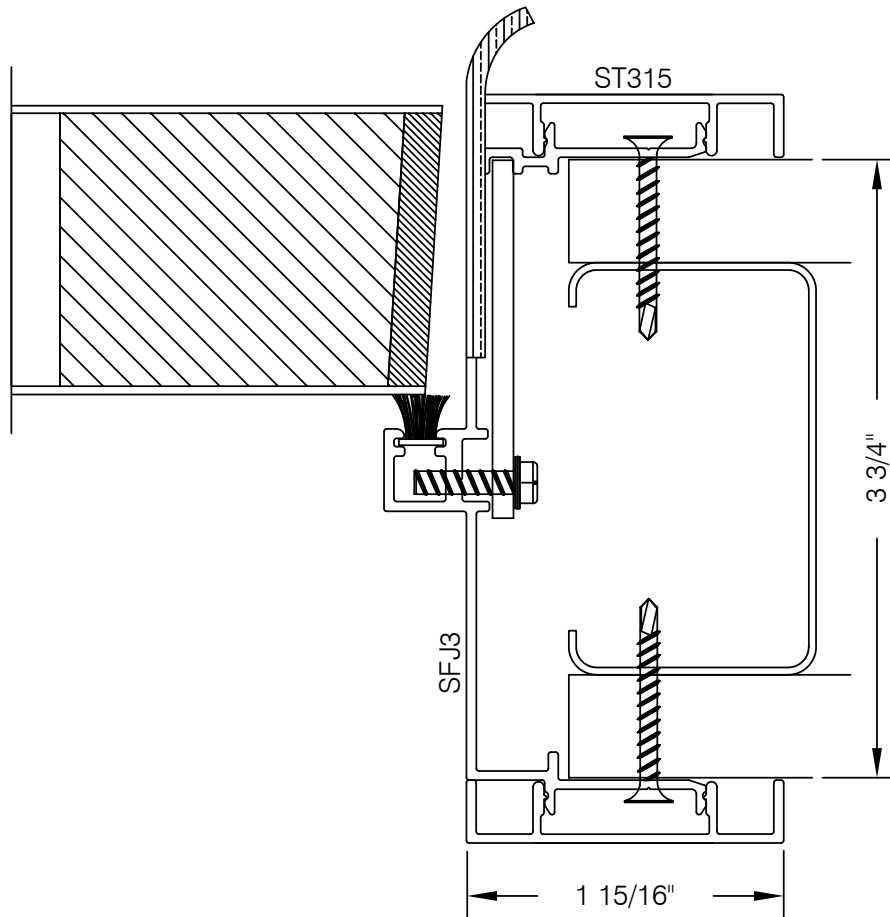


S3VD-202 375 SERIES 2" TRIM DOOR FRAME STRIKE JAMB @ DRYWALL



**AlumaPro**  
Interior Frame Systems  
Phone: 713 462-0861  
www.alumapro.com

**IMPRESSIONS**  
Office Front Solutions

DWG NO.	S3VD-202	REV	0
SCALE	Full/Half	SHEET	