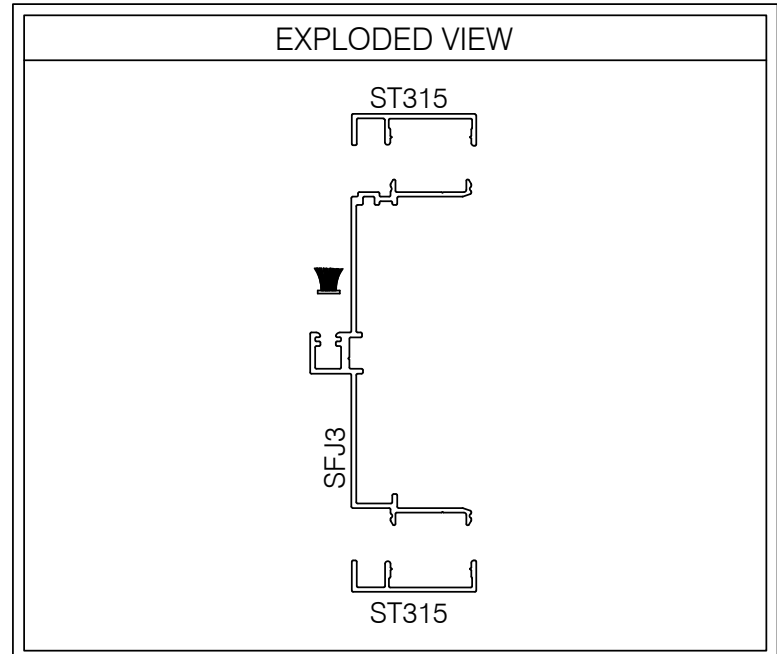
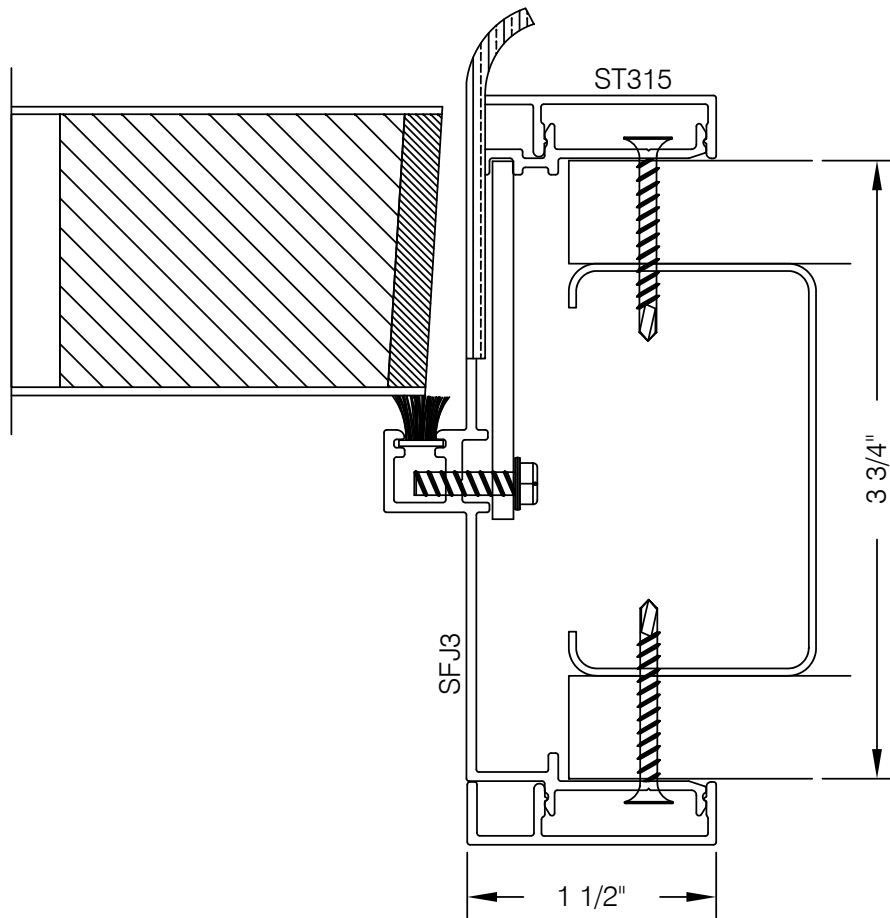


S3VD-102 375 SERIES 1 1/2" TRIM DOOR FRAME STRIKE JAMB @ DRYWALL



AlumaPro
Interior Frame Systems
Phone: 713 462-0861
www.alumapro.com

IMPRESSIONS
Office Front Solutions

DWG NO.	S3VD-102	REV	0
SCALE	Full/Half	SHEET	