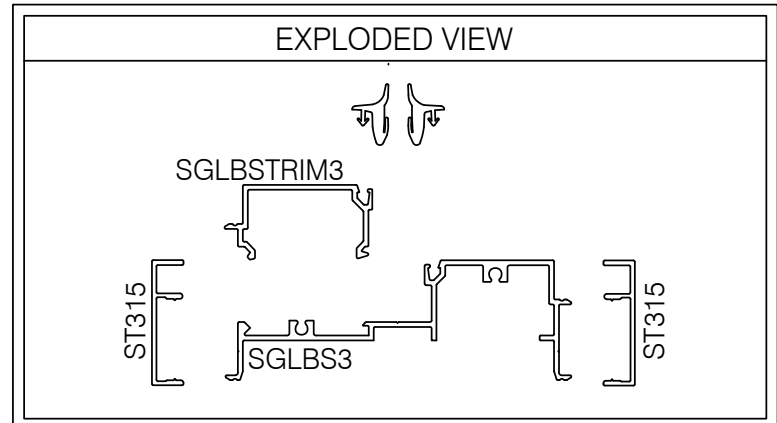
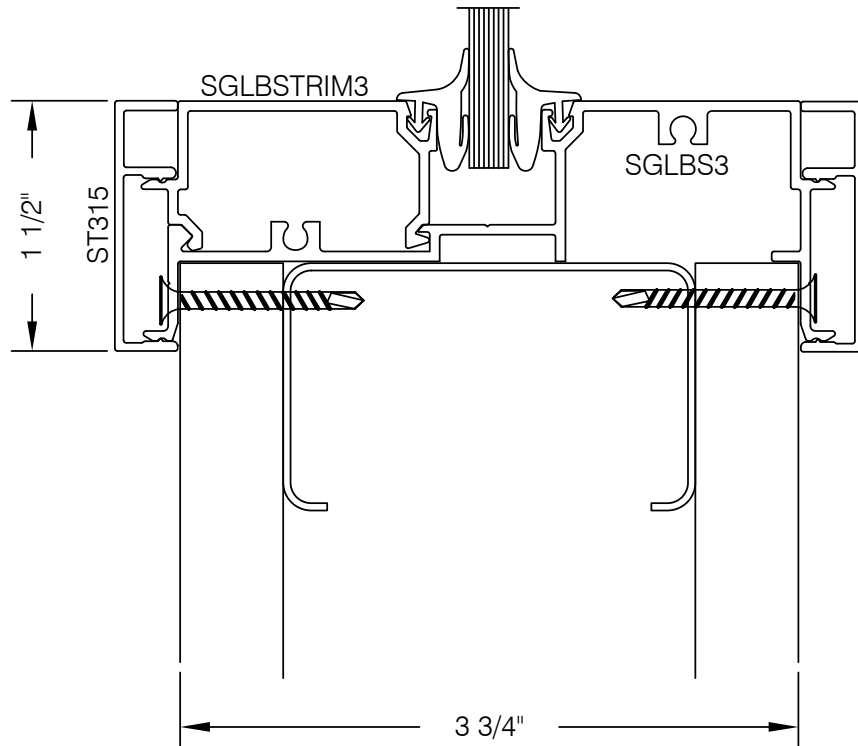


S3HG-101 375 SERIES 1 1/2" TRIM GLASS SILL @ DRYWALL



AlumaPro
 Interior Frame Systems
 Phone: 713 462-0861
 www.alumapro.com

IMPRESSIONS
 Office Front Solutions

DWG NO.	S3HG-101	REV	0
SCALE	Full/Half	SHEET	