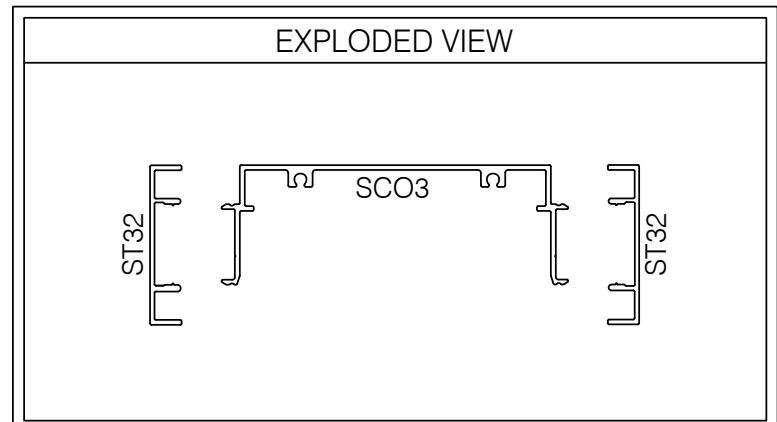
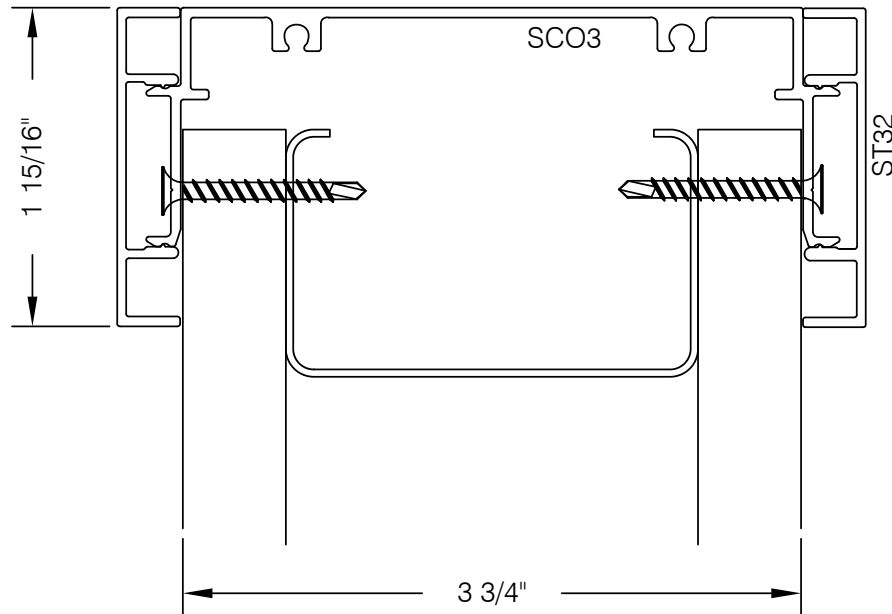


S3HC-201 375 SERIES 2" TRIM CASED FRAME SILL @ DRYWALL



AlumaPro
Interior Frame Systems
Phone: 713 462-0861
www.alumapro.com

IMPRESSIONS
Office Front Solutions

DWG NO.	S3HC-201	REV	0
SCALE	Full/Half	SHEET	