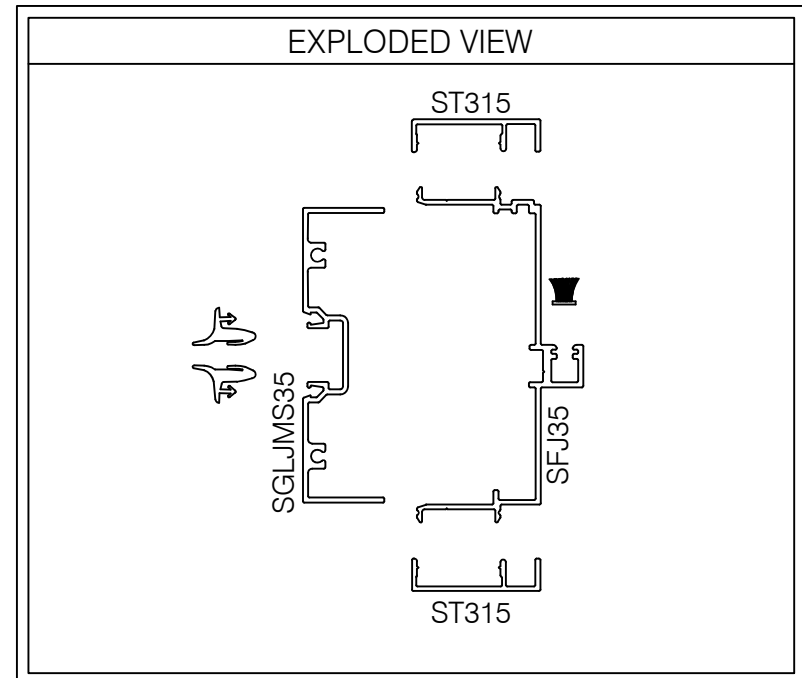
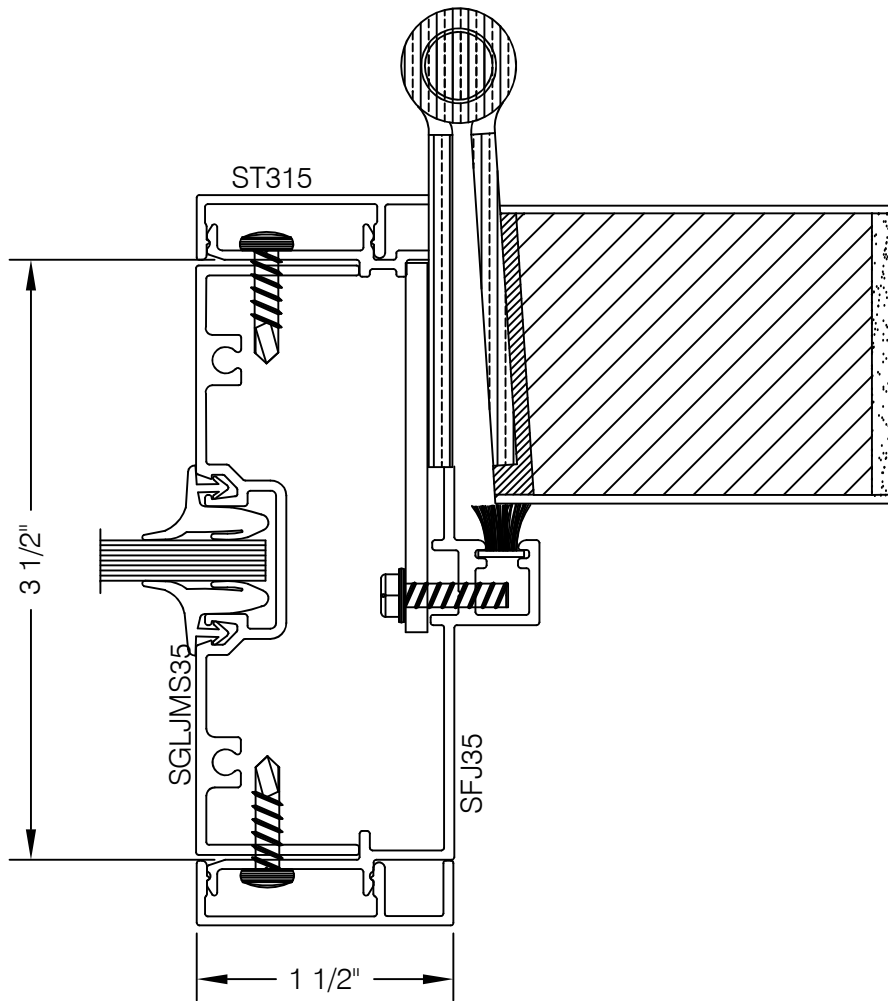


S35VGD101 350 SERIES 1 1/2" TRIM DOOR FRAME HINGE JAMB @ SIDELIGHT



AlumaPro
Interior Frame Systems

Phone: 713 462-0861
www.alumapro.com

IMPRESSIONS
Office Front Solutions

DWG NO.	REV
S35VGD101	0
SCALE Full/Half	SHEET