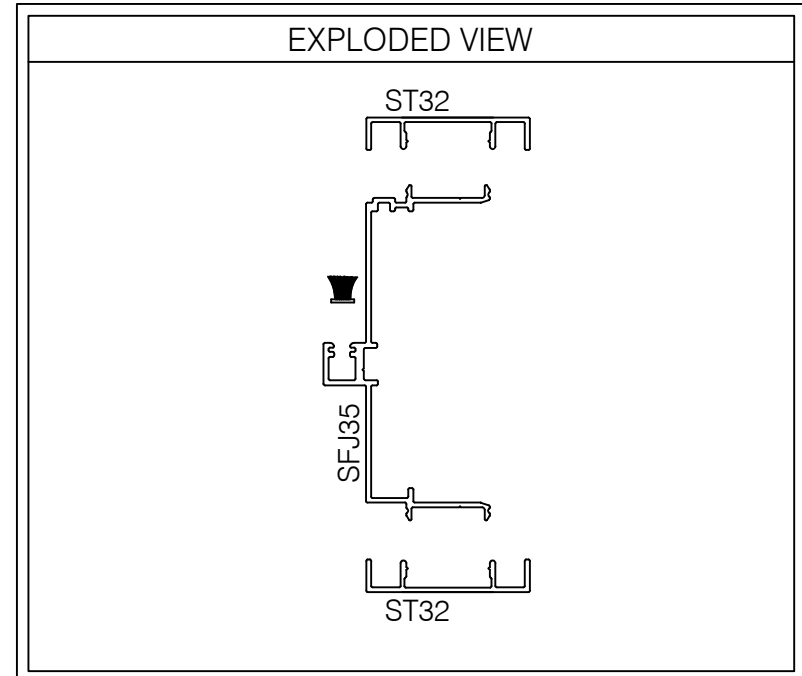
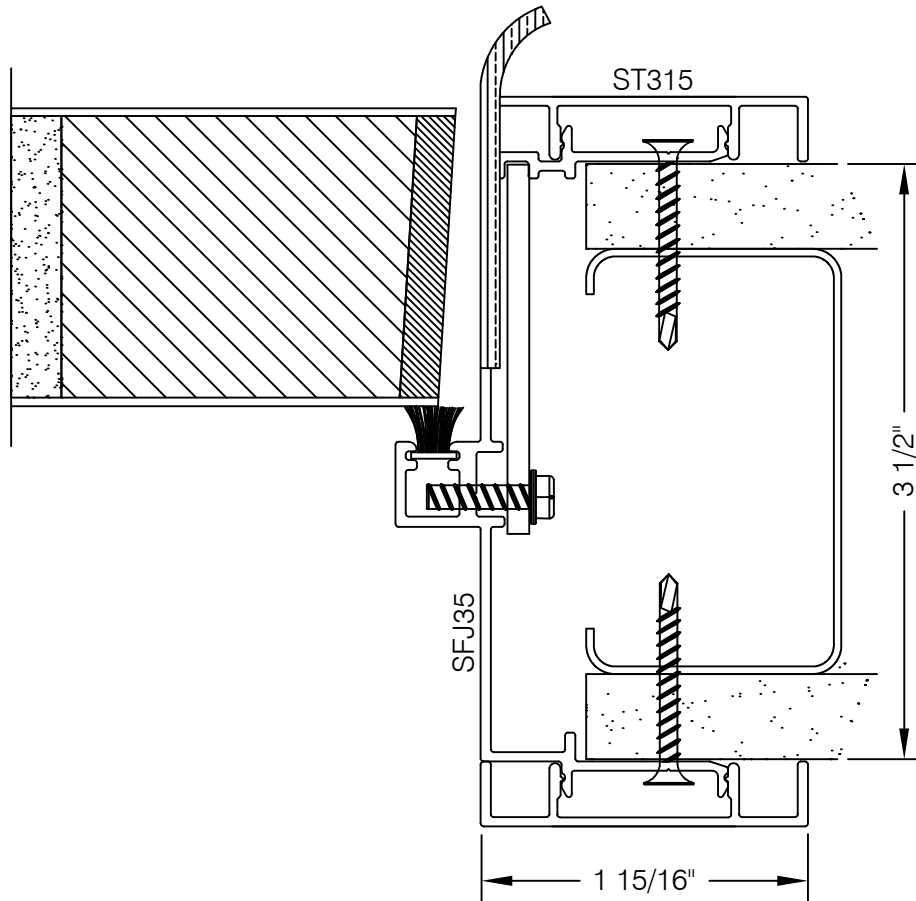


S35VD-202 350 SERIES 2" TRIM DOOR FRAME STRIKE JAMB @ DRYWALL



AlumaPro
Interior Frame Systems

Phone: 713 462-0861
www.alumapro.com

IMPRESSIONS
Office Front Solutions

DWG NO.	REV
S35VD-202	0
SCALE Full/Half	SHEET