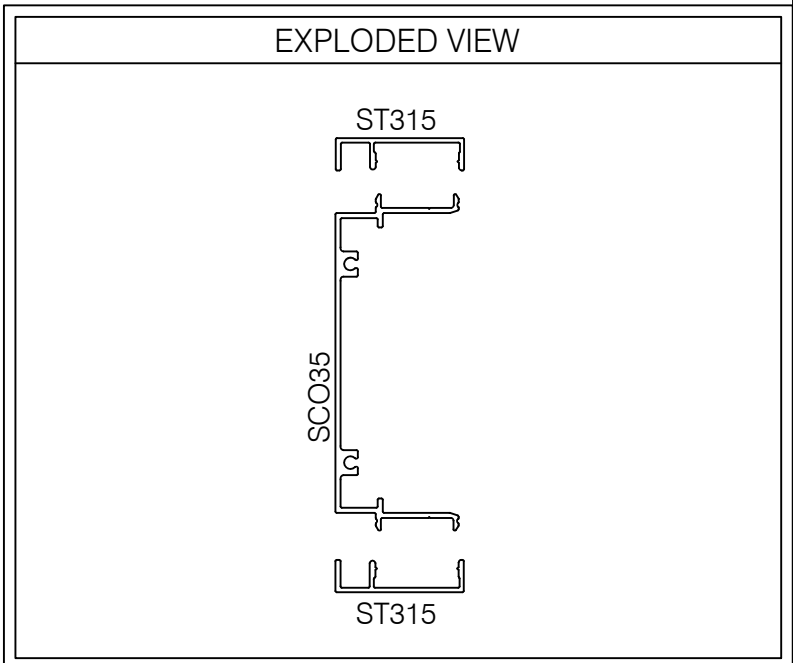
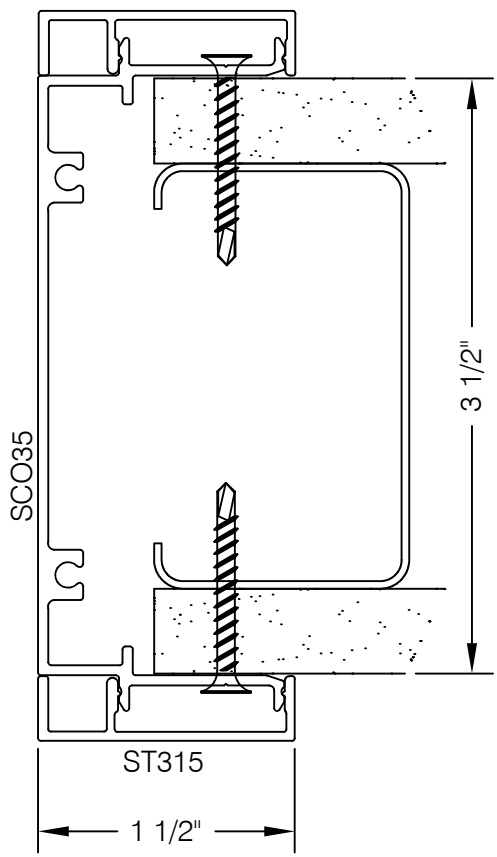


S35VC-101 350 SERIES 1 1/2" TRIM CASED FRAME JAMB @ DRYWALL



**AlumaPro**  
Interior Frame Systems  
Phone: 713 462-0861  
www.alumapro.com

**IMPRESSIONS**  
Office Front Solutions

DWG NO.	REV
S35VC-101	0
SCALE Full/Half	SHEET