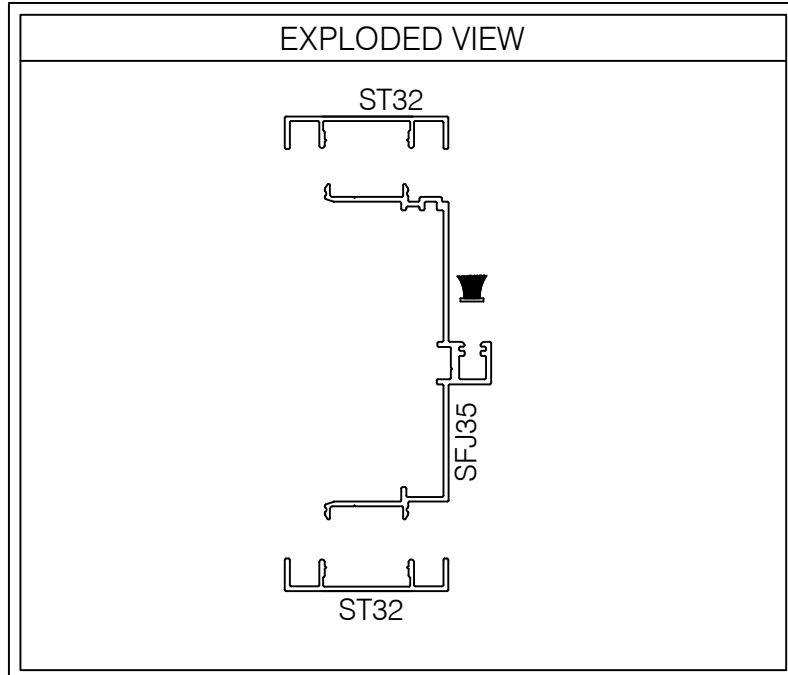
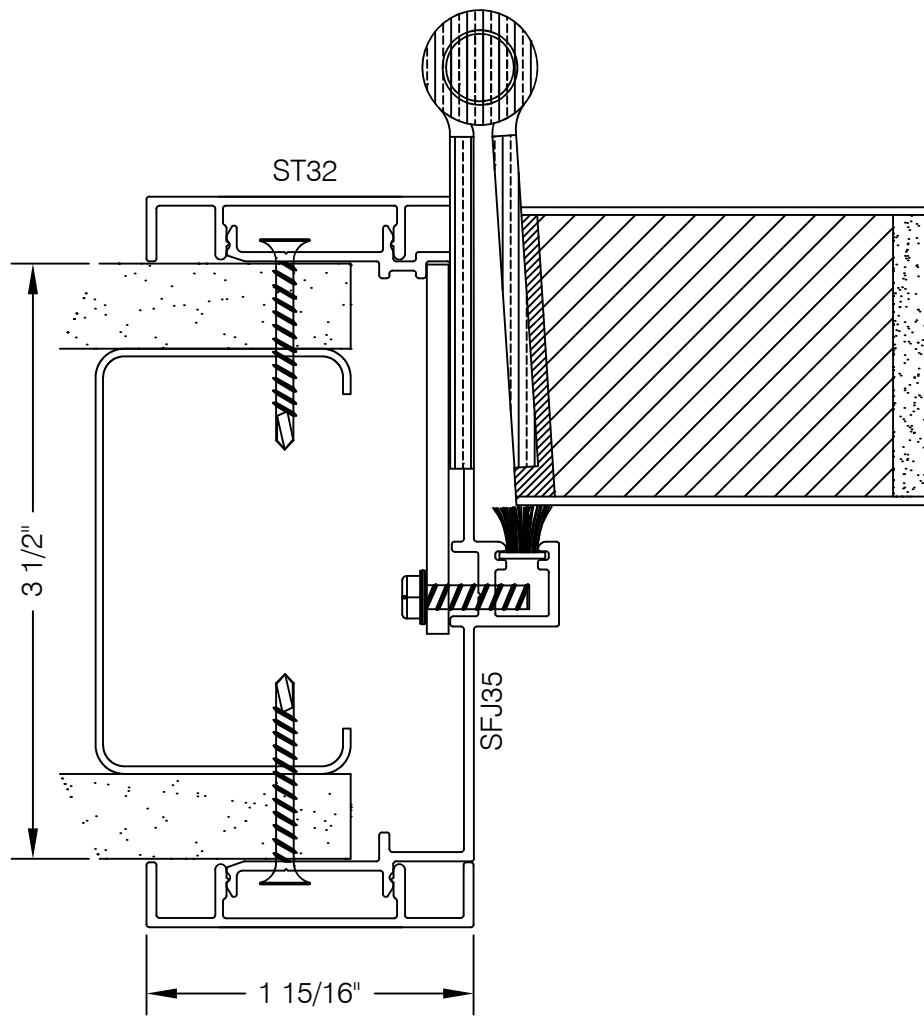


S35V-D201 350 SERIES 2" TRIM DOOR FRAME HINGE JAMB @ DRYWALL



AlumaPro
 Interior Frame Systems
 Phone: 713 462-0861
 www.alumapro.com

IMPRESSIONS
 Office Front Solutions

DWG NO.	S35V-D201	REV	0
SCALE	Full/Half	SHEET	