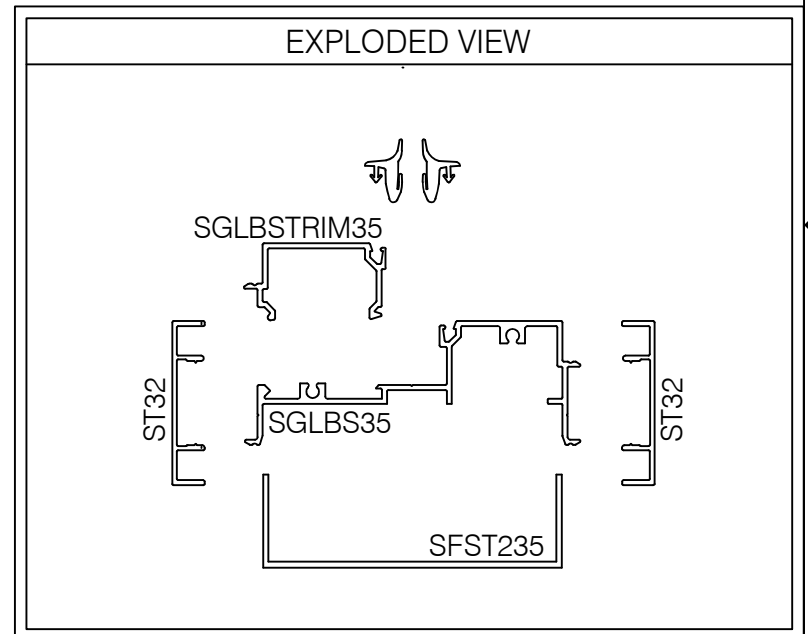
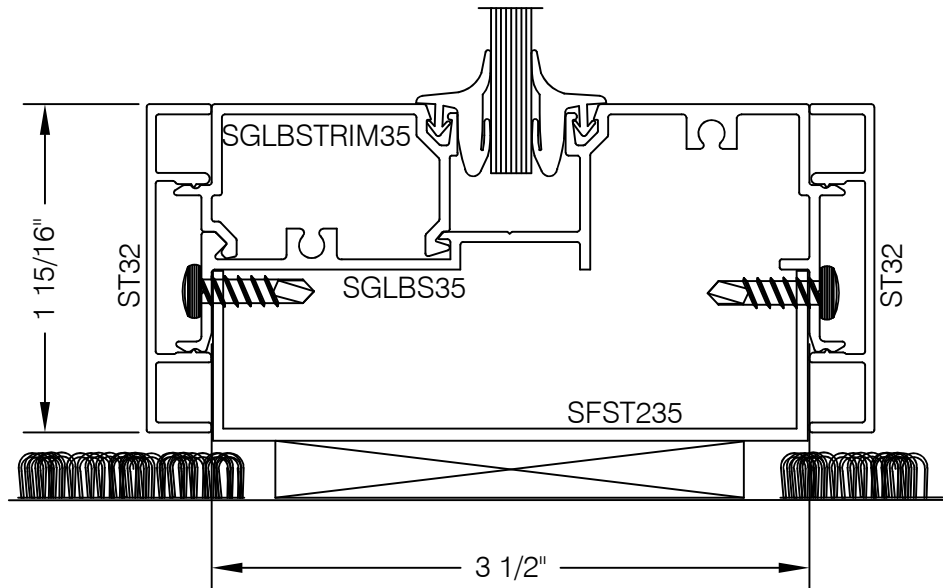


S35HGB201 350 SERIES 2" TRIM GLASS SILL @ FLOOR



Interior Frame Systems  
 Phone: 713 462-0861  
 www.alumapro.com

**IMPRESSIONS**  
 Office Front Solutions

DWG NO.	REV
S35HGB201	0
SCALE Full/Half	SHEET