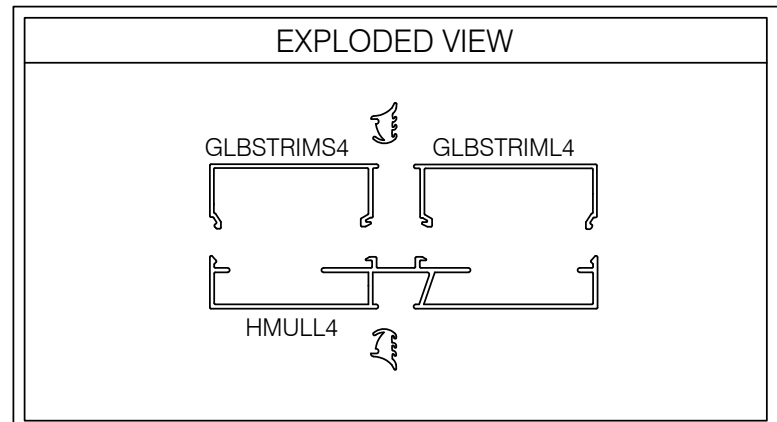
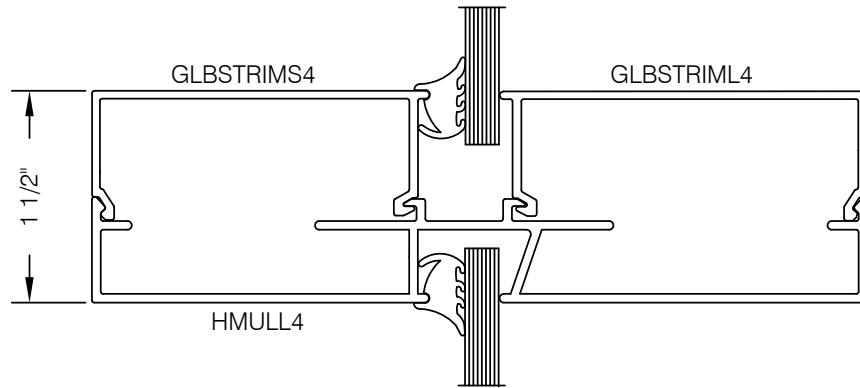


E4HGG101 487 SERIES INTERMEDIATE GLASS SILL



AlumaPro
Interior Frame Systems
Phone: 713 462-0861
www.alumapro.com

ESSENTIALS
Classic Style Office Front

DWG NO.	E4HGG101	REV	0
SCALE	Full/Half	SHEET	