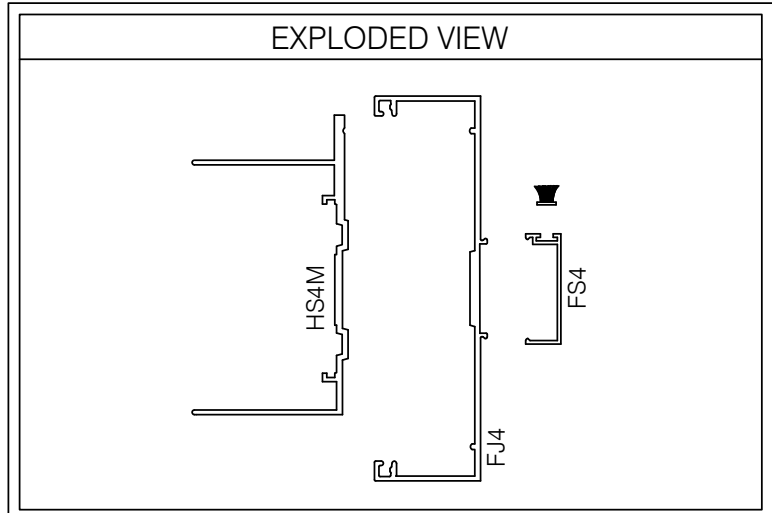
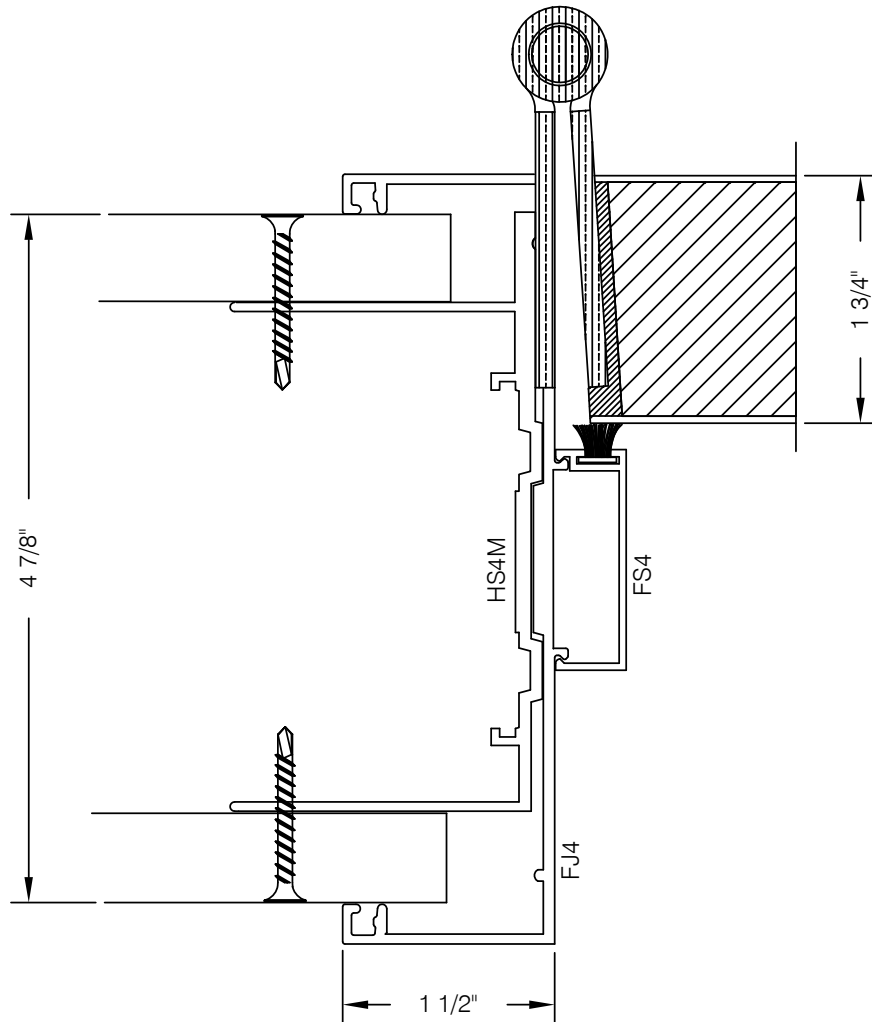


E4V-101 487 SERIES DOOR HINGE JAMB @ DRYWALL



**AlumaPro**  
Interior Frame Systems  
Phone: 713 462-0861  
www.alumapro.com

**ESSENTIALS**  
Classic Style Office Front

DWG NO.	E4V-101	REV	0
SCALE	Full/Half	SHEET	